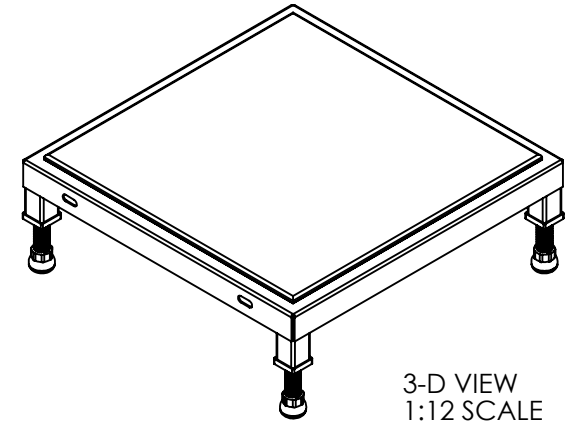
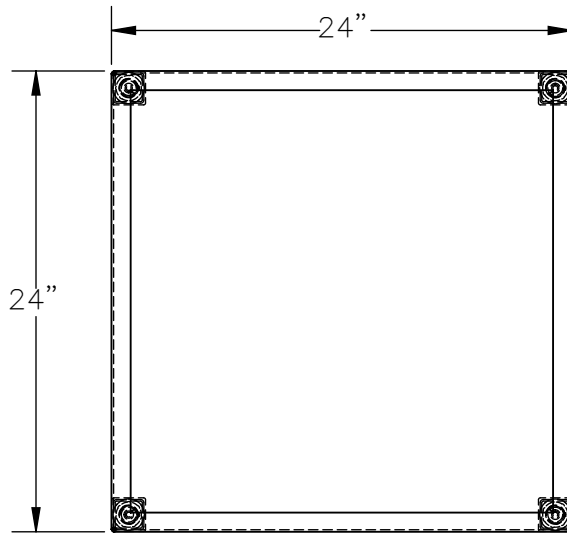


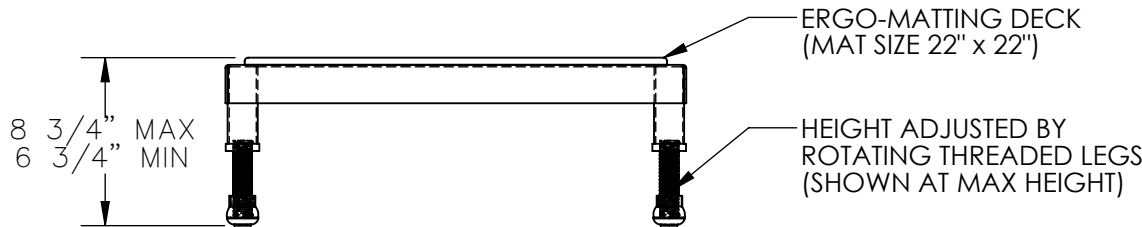
ADJ WORK-MATE STAND - MODEL: AHT-L-2424-SS

APPROX WEIGHT: 35.40 lbs.
DOES NOT INCLUDE WEIGHT OF POWER OR PACKAGING!!!

*** ANY ADDITIONS, DELETIONS, OR OMISSIONS MUST BE CORRECTED ON THIS DRAWING AS THIS DRAWING WILL BE CONSIDERED ALL INCLUSIVE ***
ALL GRAPHICS PROVIDED ARE FOR REFERENCE ONLY. IF CERTAIN DIMENSIONS ARE CRITICAL PLEASE VERIFY THOSE DIMENSIONS WITH YOUR SALESPERSON



3-D VIEW
1:12 SCALE



DIMENSION TOLERANCE $\pm 1/4$ "

STANDARD FEATURES

SPECIAL FEATURES

- MODEL NUMBER : AHT-L-2424-SS
- CAPACITY: 500 LBS.
- DECK WIDTH: 24"
- DECK LENGTH: 24"
- RAISED HEIGHT: 8 3/4"
- LOWERED HEIGHT: 6 3/4"
- ALL STAINLESS STEEL CONSTRUCTION WITH WELDING TO MEET AWS.
- ERGO MATTING IS BLUE
- STAINLESS STEEL CONSTRUCTION WITH UNPOLISHED (MILL) FINISH

NONE

FOR INTERNAL USE ONLY PROJECT SIGN OFF	
SALES	
ENG.	
FAB.	
POWER	

A P P R O V A L	I, THE UNDERSIGNED, AGREE THAT THE PRODUCT AS REPRESENTED SATISFIES DESIGN AND DIMENSION REQUIREMENTS. I ALSO ACKNOWLEDGE MY DUTY TO CONFIRM PRODUCT AND INSTALLATION COMPLIANCE WITH ALL APPLICABLE FEDERAL, STATE AND LOCAL REGULATIONS AND STANDARDS.	
	ANY MODIFIED UNITS ARE NON-RETURNABLE	
	[] As drawn [] As marked	
	Signed: _____ Date: _____	
Printed Name: _____		
LEAD TIME WILL START UPON RECEIPT OF SIGNED APPROVAL DRAWING		

DISTRIBUTOR'S NAME:		P.O.#
VESTIL MANUFACTURING		X
DRAWN BY: MTS		W.O.#
DATE: 12/27/13		X
REFERENCE: X	SCALE: 1:10	SALES: X
QUOTED LEAD TIME: X	QUOTE #	FILE NAME:
	X	14-007-235